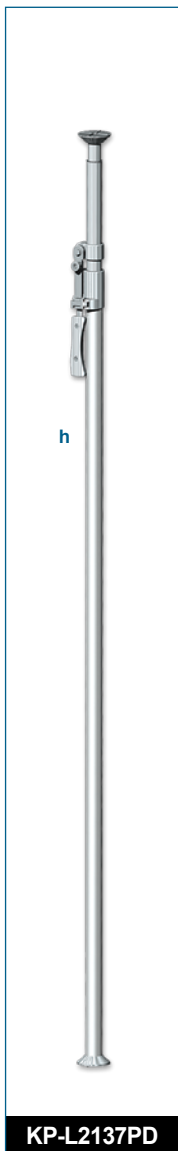




Posts and Accessories

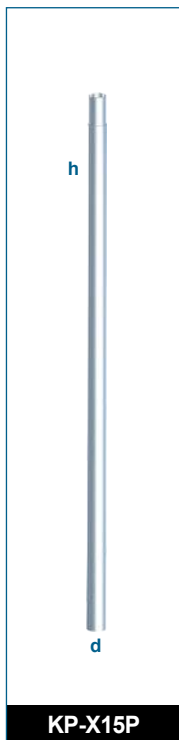


cm
h = extends from 210 - 370

- 1pc

- 1pc

Kupole



cm
h = 240
w = 6.4
d = 6.4

- 1pc

- 1pc

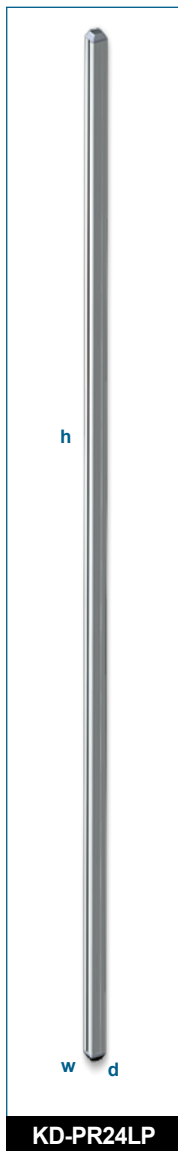
Square aluminium post

cm
h = 150
d = 4

- 1pc

- 1pc

Kupole 150cm extension



cm
w = 25.5

- 1pc

- 1pc

Wall bracket to attach KD-PR24LP to wall
Needs 2 per post



- 1pc

- 1pc

Adaptor to attach fittings to the Square post - KD-PR24LP
Needed for all fittings



- 1pc

- 1pc

Kupole suspended ceiling adaptor



cm
 $\theta = 126$ footprint diameter

- 1pc

- 1pc

Pole base

KP-L2137PD

KP-X15P

KD-PR24LP

KD-PR50P

KD-PR100P

KD-C50P

KD-B126P

Fittings - that attach with KD-900P



- 1pc

4 way kupole joint

KD-900P



- 1pc

Square clip

KD-816P



- 1pc

Panel holder for KD-900P
Accepts material up to 0.8cm

KD-910P



- 1pc

L shaped bracket self holder

KD-990P



cm
w = 116
d = 27.5

- 1pc

Brushed aluminium U' hanger

KD-985P



cm
fully adjustable

- 1pc

- 1pc

Bicycle Fixture includes KD-900P

KD-935P

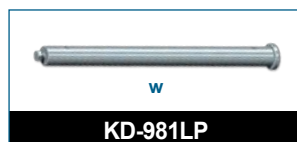


cm
w = 104.1

- 1pc

Span for kupole joint

KD-980LP



cm
w = 39.4

- 1pc

Hanger stop

KD-981LP

Fittings - that attach with KCP-700P



KCP-700P

- 1pc
Convi clamp



2xKCP-700P

- 1pc
Double Convi clamp
2x single bolted together



KCP-75SDL

- 1pc
Convi clamp saddle
allows clamp to grip
to flatter surface



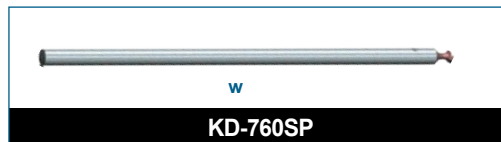
KS-020

cm
h = 1.6
 - 1pc
Compact snap in pin
To attach KCP-350P
to KCP-700P



KD-710P

- 1pc
Panel holder for KCP-700P
Accepts material up to 0.8cm



KD-760SP

cm
w = 60
 - 1pc
Banner rod with stud



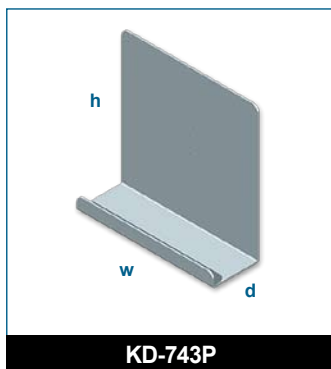
KCP-350P

- 1pc
Mini ali clamp
To attach with
KS-020 to KCP-700P



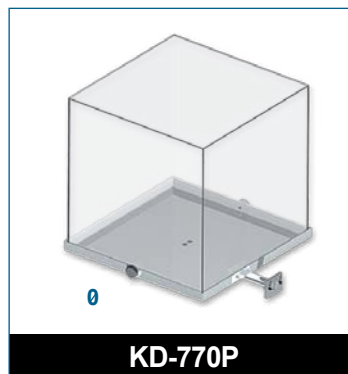
KD-735P

cm
w = 29
 - 1pc
Mini flex arm with clip



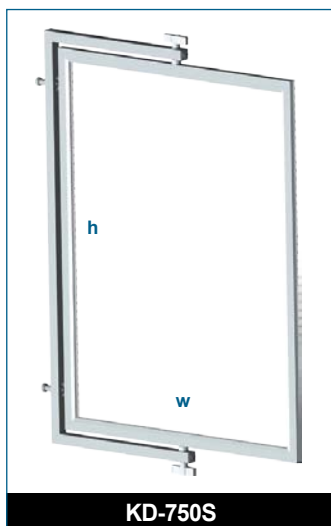
KD-743P

cm
h = 25
w = 25
d = 8.6
 - 1pc
Catalogue shelf



KD-770P

cm
ø = 30.5
diameter
 - 1pc
Square acrylic box



KD-750S

cm
h = 71.1
w = 55.8
 - 1pc
Sign frame
Side mount
Needs 2 x KCP-700P to
attach to Kupole



KD-815P

cm
ø = 7.5 inner
diameter
 - 1pc
Vase holder